



Hi Spot LED Flood Light

PS-FL08



Technical Specifications

Product Name	40W HiSpot LED Flood Light		
Item No.	PS-FL08-040		
Optical Data			
LED Type	Nichia SMD	CCT	4000K, 5000K
System Efficacy	135(±5%)lm/w(5000K Ra70)	CRI	Ra70, Ra80
Luminous Flux	5400(±5%)LM(5000K Ra70)	Beam Angle	F00801, F01601, F01602, F01603, F01604, F01605
Electrical Data			
Power Supply	SOSEN	Power Frequency	50/60Hz
Input Voltage	AC100-240V / AC100-277V	Power Factor	>0.90
Input Surge Protection	6kV line-line, 10kV line-earth		
Others			
System Power Consumption	40±4W	Storage Temperature	-40°C to +70°C (-40°F to + 158°F)
Housing	Aluminum Alloy	Operating Temperature	-30°C to + 45°C (-22°F to + 113°F)
Ingress Protection	IP66	Operating Humidity	15-90%RH
LED Life Span	>50000Hrs(Ta=30°C@L70)	Luminaire Net Weight	4.3±0.3kg (9.48±0.66Lbs)
Outlook Dimensions	359×308×82mm (14.13"×12.13"×3.23")	Export Carton Size	425×130×360mm (16.73"×5.12"×14.17")
Protection Class	Class I		
Certification	CE, CB, ENEC, RoHS, ETL, SAA		
Optional Info.			
Installation Method	Bracket Mounting (Adjustable Angle)		
Intelligent Control	DALI Control		



Product Name	60W HiSpot LED Flood Light		
Item No.	PS-FL08-060		
Optical Data			
LED Type	Nichia SMD	CCT	4000K, 5000K
System Efficacy	135(±5%)lm/w(5000K Ra70)	CRI	Ra70, Ra80
Luminous Flux	8100(±5%)lm(5000K Ra70)	Beam Angle	F00801, F01601, F01602, F01603, F01604, F01605
Electrical Data			
Power Supply	SOSEN	Power Frequency	50/60Hz
Input Voltage	AC100-240V / AC100-277V	Power Factor	>0.90
Input Surge Protection	6kV line-line, 10kV line-earth		
Others			
System Power Consumption	60±3W	Storage Temperature	-40°C to +70°C (-40°F to + 158°F)
Housing	Aluminum Alloy	Operating Temperature	-30°C to + 45°C (-22°F to + 113°F)
Ingress Protection	IP66	Operating Humidity	15-90%RH
LED Life Span	>50000Hrs(Ta=30°C@L70)	Luminaire Net Weight	4.5±0.3kg (9.92±0.66Lbs)
Outlook Dimensions	359×308×82mm (14.13"×12.13"×3.23")	Export Carton Size	425×130×360mm (16.73"×5.12"×14.17")
Protection Class	Class I		
Certification	CE, CB, ENEC, RoHS, ETL, SAA		
Optional Info.			
Installation Method	Bracket Mounting (Adjustable Angle)		
Intelligent Control	DALI Control		

Product Name	80W HiSpot LED Flood Light		
Item No.	PS-FL08-080		
Optical Data			
LED Type	Nichia SMD	CCT	4000K, 5000K
System Efficacy	135(±5%)lm/w(5000K Ra70)	CRI	Ra70, Ra80
Luminous Flux	10800(±5%)lm(5000K Ra70)	Beam Angle	F00801, F01601, F01602, F01603, F01604, F01605
Electrical Data			
Power Supply	SOSEN	Power Frequency	50/60Hz
Input Voltage	AC100-240V / AC100-277V	Power Factor	>0.90
Input Surge Protection	6kV line-line, 10kV line-earth		
Others			
System Power Consumption	80±4W	Storage Temperature	-40°C to +70°C (-40°F to + 158°F)
Housing	Aluminum Alloy	Operating Temperature	-30°C to + 45°C (-22°F to + 113°F)
Ingress Protection	IP66	Operating Humidity	15-90%RH
LED Life Span	>50000Hrs(Ta=30°C@L70)	Luminaire Net Weight	4.6±0.3kg (10.14±0.66Lbs)
Outlook Dimensions	359×308×82mm (14.13"×12.13"×3.23")	Export Carton Size	425×130×360mm (16.73"×5.12"×14.17")
Protection Class	Class I		
Certification	CE, CB, ENEC, RoHS, ETL, SAA		
Optional Info.			
Installation Method	Bracket Mounting (Adjustable Angle)		
Intelligent Control	DALI Control		



Product Name	100W HiSpot LED Flood Light		
Item No.	PS-FL08-100		
Optical Data			
LED Type	Nichia SMD	CCT	4000K, 5000K
System Efficacy	135(±5%)lm/w(5000K Ra70)	CRI	Ra70, Ra80
Luminous Flux	13500(±5%)lm(5000K Ra70)	Beam Angle	F00801, F01601, F01602, F01603, F01604, F01605
Electrical Data			
Power Supply	SOSEN	Power Frequency	50/60Hz
Input Voltage	AC100-240V / AC100-277V	Power Factor	>0.92
Input Surge Protection	6kV line-line, 10kV line-earth		
Others			
System Power Consumption	100±5W	Storage Temperature	-40°C to +70°C (-40°F to + 158°F)
Housing	Aluminum Alloy	Operating Temperature	-30°C to + 45°C (-22°F to + 113°F)
Ingress Protection	IP66	Operating Humidity	15-90%RH
LED Life Span	>50000Hrs(Ta=30°C@L70)	Luminaire Net Weight	6.3±0.3kg (13.89±0.66Lbs)
Outlook Dimensions	413X366X83 mm (16.26"x14.41"x3.27")	Export Carton Size	490X140X420 mm (19.29"x5.51"x16.54")
Protection Class	Class I		
Certification	CE, CB, ENEC, RoHS, ETL, SAA		
Optional Info.			
Installation Method	Bracket Mounting (Adjustable Angle)		
Intelligent Control	DALI Control		

Product Name	120W HiSpot LED Flood Light		
Item No.	PS-FL08-120		
Optical Data			
LED Type	Nichia SMD	CCT	4000K, 5000K
System Efficacy	135(±5%)lm/w(5000K Ra70)	CRI	Ra70, Ra80
Luminous Flux	16200(±5%)lm(5000K Ra70)	Beam Angle	F00801, F01601, F01602, F01603, F01604, F01605
Electrical Data			
Power Supply	SOSEN	Power Frequency	50/60Hz
Input Voltage	AC100-240V / AC100-277V	Power Factor	>0.92
Input Surge Protection	6kV line-line, 10kV line-earth		
Others			
System Power Consumption	120±6W	Storage Temperature	-40°C to +70°C (-40°F to + 158°F)
Housing	Aluminum Alloy	Operating Temperature	-30°C to + 45°C (-22°F to + 113°F)
Ingress Protection	IP66	Operating Humidity	15-90%RH
LED Life Span	>50000Hrs(Ta=30°C@L70)	Luminaire Net Weight	6.5±0.3kg (14.33±0.66Lbs)
Outlook Dimensions	413X366X83 mm (16.26"x14.41"x3.27")	Export Carton Size	490X140X420 mm (19.29"x5.51"x16.54")
Protection Class	Class I		
Certification	CE, CB, ENEC, RoHS, ETL, SAA		
Optional Info.			
Installation Method	Bracket Mounting (Adjustable Angle)		
Intelligent Control	DALI Control		



Product Name	120W HiSpot LED Flood Light		
Item No.	PS-FL08-120		
Optical Data			
LED Type	Nichia SMD	CCT	4000K, 5000K
System Efficacy	135(±5%)lm/w(5000K Ra70)	CRI	Ra70, Ra80
Luminous Flux	16200(±5%)lm(5000K Ra70)	Beam Angle	F00801, F01601, F01602, F01603, F01604, F01605
Electrical Data			
Power Supply	SOSEN	Power Frequency	50/60Hz
Input Voltage	AC100-240V / AC100-277V	Power Factor	>0.92
Input Surge Protection	6kV line-line, 10kV line-earth		
Others			
System Power Consumption	120±6W	Storage Temperature	-40°C to +70°C (-40°F to + 158°F)
Housing	Aluminum Alloy	Operating Temperature	-30°C to + 45°C (-22°F to + 113°F)
Ingress Protection	IP66	Operating Humidity	15-90%RH
LED Life Span	>50000Hrs(Ta=30°C@L70)	Luminaire Net Weight	6.5±0.3kg (14.33±0.66Lbs)
Outlook Dimensions	413X366X83 mm (16.26"x14.41"x3.27")	Export Carton Size	490X140X420 mm (19.29"x5.51"x16.54")
Protection Class	Class I		
Certification	CE, CB, ENEC, RoHS, ETL, SAA		
Optional Info.			
Installation Method	Bracket Mounting (Adjustable Angle)		
Intelligent Control	DALI Control		

Product Name	150W HiSpot LED Flood Light		
Item No.	PS-FL08-150		
Optical Data			
LED Type	Nichia SMD	CCT	4000K, 5000K
System Efficacy	135(±5%)lm/w(5000K Ra70)	CRI	Ra70, Ra80
Luminous Flux	20250(±5%)lm(5000K Ra70)	Beam Angle	F00801, F01601, F01602, F01603, F01604, F01605
Electrical Data			
Power Supply	SOSEN	Power Frequency	50/60Hz
Input Voltage	AC100-240V / AC100-277V	Power Factor	>0.92
Input Surge Protection	6kV line-line, 10kV line-earth		
Others			
System Power Consumption	150±7W	Storage Temperature	-40°C to +70°C (-40°F to + 158°F)
Housing	Aluminum Alloy	Operating Temperature	-30°C to + 45°C (-22°F to + 113°F)
Ingress Protection	IP66	Operating Humidity	15-90%RH
LED Life Span	>50000Hrs(Ta=30°C@L70)	Luminaire Net Weight	6.58±0.3kg (14.99±0.66Lbs)
Outlook Dimensions	413X366X83 mm (16.26"x14.41"x3.27")	Export Carton Size	490X140X420 mm (19.29"x5.51"x16.54")
Protection Class	Class I		
Certification	CE, CB, ENEC, RoHS, ETL, SAA		
Optional Info.			
Installation Method	Bracket Mounting (Adjustable Angle)		
Intelligent Control	DALI Control		



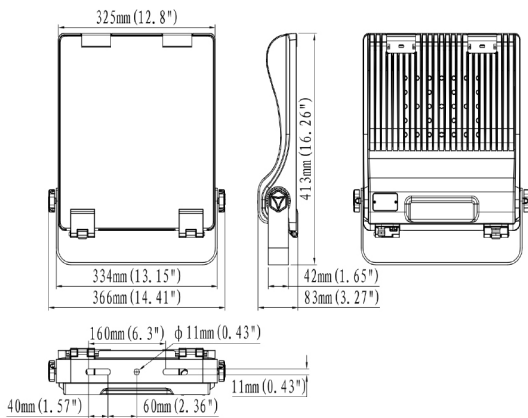
Product Name	180W HiSpot LED Flood Light		
Item No.	PS-FL08-180		
Optical Data			
LED Type	Nichia SMD	CCT	4000K, 5000K
System Efficacy	135(±5%)lm/w(5000K Ra70)	CRI	Ra70, Ra80
Luminous Flux	24300(±5%)lm(5000K Ra70)	Beam Angle	F00801, F01601, F01602, F01603, F01604, F01605
Electrical Data			
Power Supply	SOSEN	Power Frequency	50/60Hz
Input Voltage	AC100-240V / AC100-277V	Power Factor	>0.92
Input Surge Protection	6kV line-line, 10kV line-earth		
Others			
System Power Consumption	180±9W	Storage Temperature	-40°C to +70°C (-40°F to + 158°F)
Housing	Aluminum Alloy	Operating Temperature	-30°C to + 45°C (-22°F to + 113°F)
Ingress Protection	IP66	Operating Humidity	15-90%RH
LED Life Span	>50000Hrs(Ta=30°C@L70)	Luminaire Net Weight	8.4±0.3kg (18.52±0.66Lbs)
Outlook Dimensions	462×452×87mm (18.19"×17.8"×3.43")	Export Carton Size	540×160×515mm (21.26"×6.3"×20.28")
Protection Class	Class I		
Certification	CE, CB, ENEC, RoHS, ETL, SAA		
Optional Info.			
Installation Method	Bracket Mounting (Adjustable Angle)		
Intelligent Control	DALI Control		

Product Name	200W HiSpot LED Flood Light		
Item No.	PS-FL 08-200		
Optical Data			
LED Type	Nichia SMD	CCT	4000K, 5000K
System Efficacy	135(±5%)lm/w(5000K Ra70)	CRI	Ra70, Ra80
Luminous Flux	27000(±5%)lm(5000K Ra70)	Beam Angle	F00801, F01601, F01602, F01603, F01604, F01605
Electrical Data			
Power Supply	SOSEN	Power Frequency	50/60Hz
Input Voltage	AC100-240V / AC100-277V	Power Factor	>0.92
Input Surge Protection	6kV line-line, 10kV line-earth		
Others			
System Power Consumption	200±10W	Storage Temperature	-40°C to +70°C (-40°F to + 158°F)
Housing	Aluminum Alloy	Operating Temperature	-30°C to + 45°C (-22°F to + 113°F)
Ingress Protection	IP66	Operating Humidity	15-90%RH
LED Life Span	>50000Hrs(Ta=30°C@L70)	Luminaire Net Weight	8.6±0.3kg (18.96±0.66Lbs)
Outlook Dimensions	462×452×87mm (18.19"×17.8"×3.43")	Export Carton Size	540×160×515mm (21.26"×6.3"×20.28")
Protection Class	Class I		
Certification	CE, CB, ENEC, RoHS, ETL, SAA		
Optional Info.			
Installation Method	Bracket Mounting (Adjustable Angle)		
Intelligent Control	DALI Control		



Product Name	240W HiSpot LED Flood Light		
Item No.	PS-FL 08-240		
Optical Data			
LED Type	Nichia SMD	CCT	4000K, 5000K
System Efficacy	135(±5%)lm/w(5000K Ra70)	CRI	Ra70, Ra80
Luminous Flux	32400(±5%)lm(5000K Ra70)	Beam Angle	F00801, F01601, F01602, F01603, F01604, F01605
Electrical Data			
Power Supply	SOSEN	Power Frequency	50/60Hz
Input Voltage	AC100-240V / AC100-277V	Power Factor	>0.92
Input Surge Protection	6kV line-line, 10kV line-earth		
Others			
System Power Consumption	240±7W	Storage Temperature	-40°C to +70°C (-40°F to + 158°F)
Housing	Aluminum Alloy	Operating Temperature	-30°C to + 45°C (-22°F to + 113°F)
Ingress Protection	IP66	Operating Humidity	15-90%RH
LED Life Span	>50000Hrs(Ta=30°C@L70)	Luminaire Net Weight	8.9±0.3kg (19.62±0.66Lbs)
Outlook Dimensions	462×452×87mm (18.19"×17.8"×3.43")	Export Carton Size	540×160×515mm (21.26"×6.3"×20.28")
Protection Class	Class I		
Certification	CE, CB, ENEC, RoHS, ETL, SAA		
Optional Info.			
Installation Method	Bracket Mounting (Adjustable Angle)		
Intelligent Control	DALI Control		

Physical Dimensions



Light Distribution Curve

