



# LED Linear High Bay

## PS-LHB01

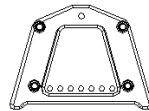
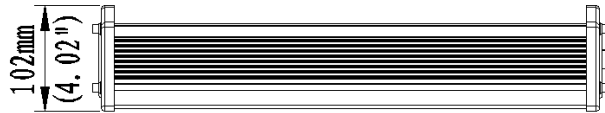
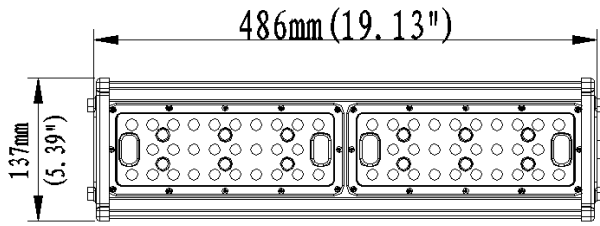


### Technical Specifications

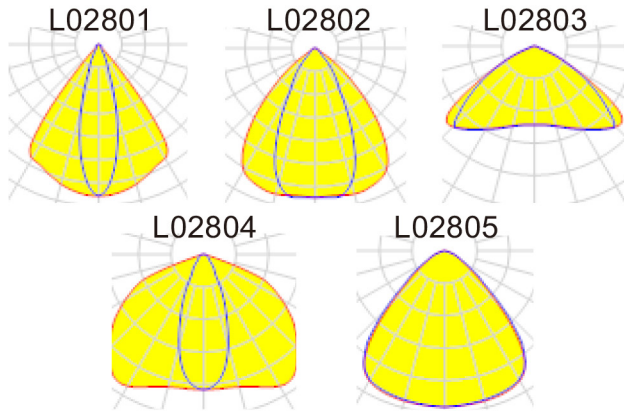
Product Name	60W LED Linear High Bay		
Item No.	PS-LHB01-60		
Optical Data			
LED Type	Nichia SMD	CCT	3000K, 4000K, 5000K
System Efficacy	130(±5%)lm/W(5000K Ra70)	CRI	Ra70, Ra80
Luminous Flux	7800(±5%)lm(5000K Ra70)	Beam Angle	L02801, L02802, L02803, L02804, L02805
Electrical Data			
Power Supply	Sosen	Power Frequency	50/60Hz
Input Voltage	AC100-240V / AC100-277V	Power Factor	>0.90
Input Surge Protection	2kV line-line, 4kV line-earth		
Others			
System Power Consumption	60±4W	Storage Temperature	-40°C to +70°C (-40°F to + 158°F)
Housing	Aluminum Alloy	Operating Temperature	-30°C to + 50°C (-22°F to + 122°F)
Ingress Protection	IP65	Operating Humidity	15-90%RH
LED Life Span	>50,000Hrs (Ta=30°C@L70)	Luminaire Net Weight	3.4±0.3kg
Outlook Dimensions	486×137×102mm	Export Carton Size	555×200×160mm
Protection Class	Class I		
Certification	CE, CB, ENEC, D-Mark, RoHS, UL, DLC, SAA, C-Tick, LM79/TM21/ISTMT/LCP		
Optional Info.			
Installation Method	Wire Suspension Installation / Ceiling Mounting		
Intelligent Control	DALI Control / Zigbee Control / Motion Sensor / Daylight Sensor / PIR Sensor		



## Physical Dimensions



## Light Distribution Curve





# LED Linear High Bay

## PS-LHB01

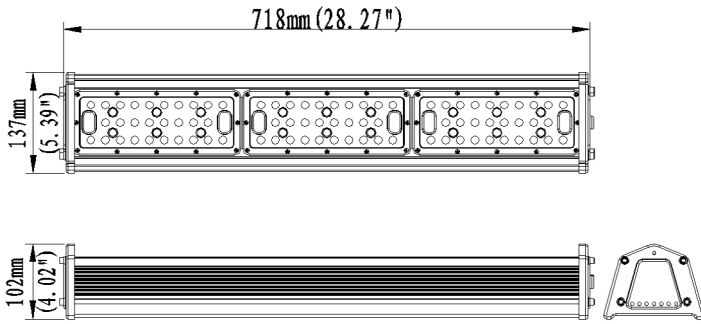


### Technical Specifications

Product Name	90W LED Linear High Bay		
Item No.	PS LHB01-90		
Optical Data			
LED Type	Nichia SMD	CCT	3000K, 4000K, 5000K
System Efficacy	135(±5%)lm/W(5000K Ra70)	CRI	Ra70, Ra80
Luminous Flux	12150(±5%)lm(5000K Ra70)	Beam Angle	L02801, L02802, L02803, L02804, L02805
Electrical Data			
Power Supply	Sosen	Power Frequency	50/60Hz
Input Voltage	AC100-240V / AC100-277V	Power Factor	>0.92
Input Surge Protection	2kV line-line, 4kV line-earth		
Others			
System Power Consumption	90±4W	Storage Temperature	-40°C to +70°C (-40°F to + 158°F)
Housing	Aluminum Alloy	Operating Temperature	-30°C to + 50°C (-22°F to + 122°F)
Ingress Protection	IP65	Operating Humidity	15-90%RH
LED Life Span	>50,000Hrs (Ta=30°C@L70)	Luminaire Net Weight	4.7±0.3kg (10.36±0.66Lbs)
Outlook Dimensions	718x137x102mm (28.27"x5.39"x4.02")	Export Carton Size	1250x200x160mm (49.21"x7.87"x6.3")
Protection Class	Class I		
Certification	CE, CB, ENEC, D-Mark, RoHS, UL, DLC, SAA, C-Tick, LM79/TM21/ISTMT/LCP		
Optional Info.			
Installation Method	Wire Suspension Installation / Ceiling Mounting		
Intelligent Control	DALI Control / Zigbee Control / Motion Sensor / Daylight Sensor / PIR Sensor		



## Physical Dimensions



## Light Distribution Curve

