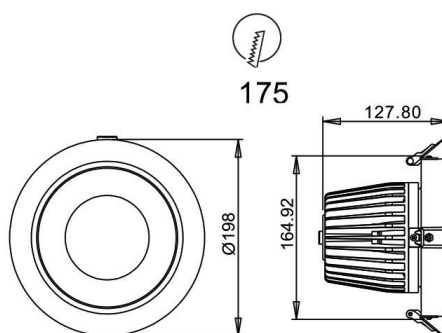


Ceiling recessed downlight

PS-BL071-20W

Reflector



Technical Parameters

| Name | Parameters |
|------------------------|--------------------|
| Light source: | COB |
| Input Voltage: | AC220~240V 50/60Hz |
| LED Current: | 500mA, 30-33V |
| Rated life: | >50,000 hours |
| Operating temperature: | -20°-40° |
| Storage temperature: | -30°-60° |
| Certificate: | CE/RoHS |
| Dimmability: | Dimmable Optional |
| Weight: | 1.2 KG |
| Warranty: | 5 Years |



Ordering Information

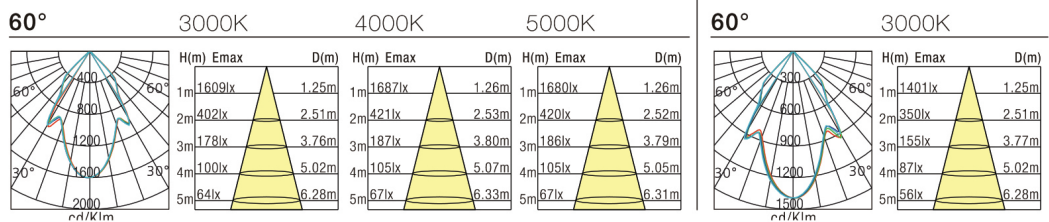
● White+Black

| Power | CRI | Beam Angle | Luminous | CCT | Housing | Part Number |
|-------|-----|------------|----------|-------|---------|-----------------------|
| 20W | >80 | ▲60° | 1667 lm | 3000K | ● | PS-BL071-20W-830-W-60 |
| | | | 1746 lm | 4000K | ● | PS-BL071-20W-840-W-60 |
| | | | 1729 lm | 5000K | ● | PS-BL071-20W-850-W-60 |
| | >90 | ▲60° | 1458 lm | 3000K | ● | PS-BL071-20W-930-W-60 |
| | | | 1505 lm | 4000K | ● | PS-BL071-20W-940-W-60 |

Technical Data test pattern

| 20W | CRI>80 | | | CRI>90 | | |
|--------------------|------------|--------|--------|------------|--------|--------|
| | LED | | | Luminaire | | |
| Power | 16.2W | | | 18W | | |
| Current | 500mA | | | 500mA | | |
| Luminous Flux | 2120lm | 2200lm | 2200lm | 1667lm | 1746lm | 1729lm |
| CCT | 3000K | 4000K | 5000K | 3000K | 4000K | 5000K |
| Color tolerance | 3 SDCM | | | 3 SDCM | | |
| Service life | >50,000Hrs | | | >50,000Hrs | | |
| Beam Angle | 120° | | | 60° | | |
| Typical Efficiency | | | | 88% | | |
| Efficacy(lm/W) | 131 | 135 | 136 | 92.6 | 97 | 96 |

| 20W | CRI>80 | | | CRI>90 | | |
|--------------------|------------|--------|--|------------|--|--|
| | LED | | | Luminaire | | |
| Power | 16.2W | | | 18W | | |
| Current | 500mA | | | 500mA | | |
| Luminous Flux | 1630lm | 1458lm | | 1458lm | | |
| CCT | 3000K | 3000K | | 3000K | | |
| Color tolerance | 3 SDCM | | | 3 SDCM | | |
| Service life | >50,000Hrs | | | >50,000Hrs | | |
| Beam Angle | 120° | | | 60° | | |
| Typical Efficiency | | | | 86% | | |
| Efficacy(lm/W) | 101 | 81 | | 81 | | |



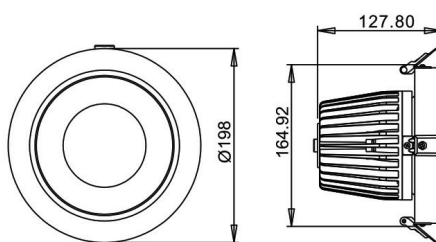
Ceiling recessed downlight

PS-BL071-40W

Reflector



175



Technical Parameters

| Name | Parameters |
|------------------------|--------------------|
| Light source: | COB |
| Input Voltage: | AC220~240V 50/60Hz |
| LED Current: | 1200mA, 30-33V |
| Rated life: | >50,000 hours |
| Operating temperature: | -20°-40° |
| Storage temperature: | -30°-60° |
| Certificate: | CE/RoHS |
| Dimmability: | Dimmable Optional |
| Weight: | 1.2 KG |
| Warranty | 5 Years |



Ordering Information

● White+Black

| Power | CRI | Beam Angle | Luminous | CCT | Housing | Part Number |
|-------|-----|------------|----------|-------|---------|-----------------------|
| 40W | >80 | 60° | 3367 lm | 3000K | ● | PS-BL071-40W-830-W-60 |
| | | | 3553 lm | 4000K | ● | PS-BL071-40W-840-W-60 |
| | | | 3595 lm | 5000K | ● | PS-BL071-40W-850-W-60 |
| | >90 | ▲60° | 2780 lm | 3000K | ● | PS-BL071-40W-930-W-60 |
| | | | 3075 lm | 3000K | ● | PS-BL071-40W-930-W-60 |

Technical Data test pattern

| 40W | CRI>80 | | | CRI>90 | | |
|--------------------|-----------------|--------|--------|-----------|--------|--------|
| | LED | | | Luminaire | | |
| Power | 29.5W | | | 39.5W | | |
| Current | 1050mA | | | 1200mA | | |
| Luminous Flux | 4050lm | 4200lm | 4200lm | 3367lm | 3553lm | 3595lm |
| CCT | 3000K | 4000K | 5000K | 3000K | 4000K | 5000K |
| Color tolerance | 3 SDCM / 4 SDCM | | | | | |
| Service life | >50,000Hrs | | | | | |
| Beam Angle | 120° | | | 60° | | |
| Typical Efficiency | | | | 88% | | |
| Efficacy | 131 | 135 | 136 | 85 | 90 | 91 |

