



Ceiling recessed LED spotlight

PS-DL091 30W



Technical Parameters

Name	Parameters
Light source:	COB
Input Voltage:	AC220~240V 50/60Hz
LED Current:	700mA (35-37W)
Rated life:	>35,000 hours
Operating temperature:	-20°-40°
Storage temperature:	-30°-60°
Certificate:	TUV/CE/ROHS
Weight:	0.9KG
Warranty:	5 Years

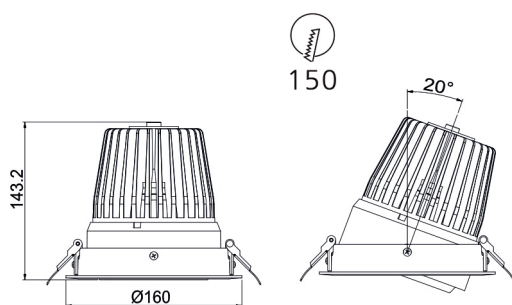


Ordering Information:

● White+Black

Power	CRI	Beam Angle	Luminous	CCT	Housing	Part Number
30W	>80	▲15°	2913 lm	3000K	●	PS-DL091-30W-830-W-15-02
			3130 lm	4000K	●	PS-DL091-30W-840-W-15-02
			3287 lm	5000K	●	PS-DL091-30W-850-W-15-02
		▲20°	2804 lm	3000K	●	PS-DL091-30W-830-W-20-02
			3032 lm	4000K	●	PS-DL091-30W-840-W-20-02
			3184 lm	5000K	●	PS-DL091-30W-850-W-20-02
		▲45°	2804 lm	3000K	●	PS-DL091-30W-830-W-45-02
			2906 lm	4000K	●	PS-DL091-30W-840-W-45-02
			3051 lm	5000K	●	PS-DL091-30W-850-W-45-02
	>90	▲15°	2454 lm	3000K	●	PS-DL091-30W-930-W-15-02
			2577 lm	4000K	●	PS-DL091-30W-930-W-20-02
			2392 lm	3000K	●	PS-DL091-30W-930-W-45-02
		▲20°	2392 lm	3000K	●	PS-DL091-30W-930-W-45-02
			2512 lm	4000K	●	PS-DL091-30W-930-W-15-02
			2283 lm	3000K	●	PS-DL091-30W-940-W-20-02
		▲45°	2283 lm	3000K	●	PS-DL091-30W-940-W-20-02
			2397 lm	4000K	●	PS-DL091-30W-950-W-45-02

Dimensions:





30W

Power	18.7W
Current	540mA
Flux	2742lm 2827lm 2867lm
CCT	3000K 4000K 5000K
Color tolerance	3 SDCM
Service life	>50000Hrs
Beam Angle	120°
Typical Efficiency	
Efficacy(lm/W)	147 151 153

CRI>80

LED			Luminaire	
18.7W			29.5W	
540mA			700mA	
2742lm	2827lm	2867lm	2913lm	3130lm
3000K	4000K	5000K	3000K	4000K
3 SDCM			>50000Hrs	
>50000Hrs			15°\20°\45°	
120°			85%	
147	151	153	98	106

CRI>90

LED		Luminaire	
18.7W		29.5W	
540mA		700mA	
2265lm		2392lm	
3000K		3000K	
3 SDCM		>50000Hrs	
>50000Hrs		15°\20°\45°	
120°		85%	
121		81	

