

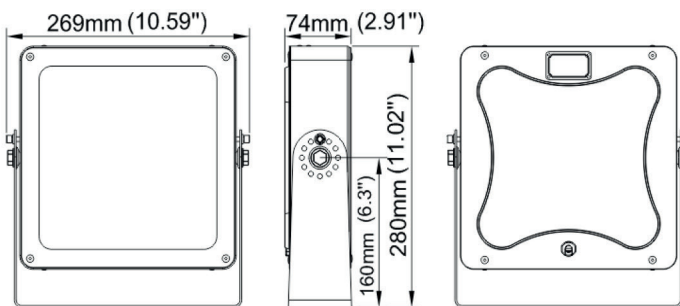


## LED Flood Light

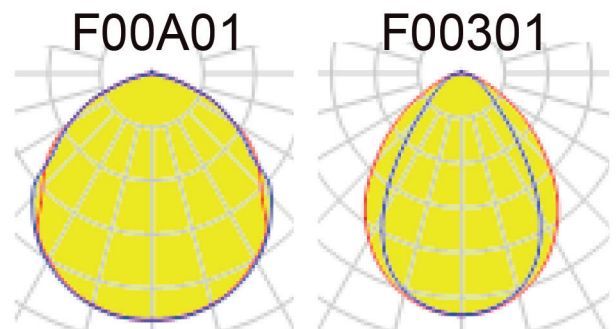
PS-FL02-90 W



### Physical Dimensions



### Light Distribution Curve





## Technical Specifications

Product Name	90W LED Flood Light		
Item No.	PS-FL02-90		
OPTICAL DATA			
LED Type	Nichia SMD	CCT	3000K, 4000K, 5000K
System Efficacy	125(±5%) lm/W(5000K Ra70)	CRI	Ra70, Ra80
Luminous Flux	11250(±5%) lm(5000K Ra70)	Beam Angle	F00A01, F00301
ELECTRICAL DATA			
Power Supply	Sosen	Power Frequency	50/60Hz
Input Voltage	AC100-240V / AC100-277V	Power Factor	>0.92
Input Surge Protection	4kv line-line, 6kv line-earth		
OTHERS			
System Power Consumption	90±4W	Storage Temperature	-40°C to +70°C (-40°F to +158°F)
Housing	Aluminum Alloy	Operating Temperature	-30°C to +40°C (-22°F to +104°F)
Ingress Protection	IP65	Operating Humidity	15-90%RH
LED Life Span	>50000Hrs (Ta=30°C@L70)	Luminaire Net Weight	3.4±0.3kg (7.49±0.66Lbs)
Outlook Dimensions	280×269×74mm (11.02"×10.59"×2.91")	Export Carton Size	310×130×340mm (13.2"×5.12"×13.19")
Protection Class	Class I		
Certification	CE, RoHS, UL, DLC, SAA, LCP/LM79/TM21		
OPTIONAL INFO			
Installation Method	Bracket Mounting / Hanging pipe Mounting ( Adjustable Angle)		
Intelligent Control	DALI Control / Motion Sensor / Daylight Sensor / PIR Sensor		