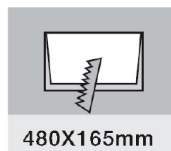
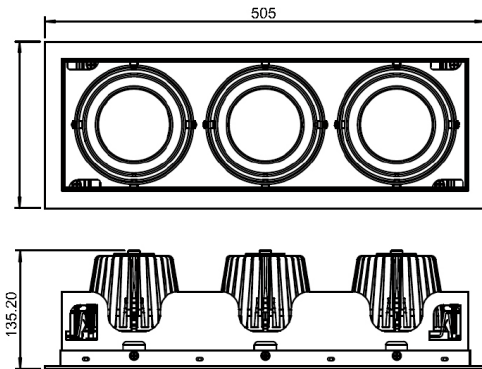


Ceiling recessed LED spotlight

PS-GL1031-3x30W

Reflector



Technical Parameters:

Name	Parameters
Light source:	COB
Input Voltage:	AC220~240V 50/60Hz
LED Current:	700mA (35-37V)
Rated life:	>50,000 hours
Operating temperature:	-20°-40°
Storage temperature:	-30°-60°
Certificate:	TUV/CE/RoHS
Dimmability:	Dimmable Optional
Weight:	4.5KG
Warranty:	5 Years



Ordering Information:

● White+Black

Power	CRI	Beam Angle	Luminous	CCT	Housing	Part Number	
3X30W	>80	▲15°	6700 lm	3000K	●	PS-GL1031-30W-830-W-15	
			7300 lm	4000K	●	PS-GL1031-30W-840-W-15	
			7500 lm	5000K	●	PS-GL1031-30W-850-W-15	
	>80	▲20°	6800 lm	3000K	●	PS-GL1031-30W-830-W-20	
				7000 lm	4000K	●	PS-GL1031-30W-840-W-20
				7250 lm	5000K	●	PS-GL1031-30W-850-W-20
	>80	▲45°	6650 lm	3000K	●	PS-GL1031-30W-830-W-45	
				6950 lm	4000K	●	PS-GL1031-30W-840-W-45
				7300 lm	5000K	●	PS-GL1031-30W-850-W-45
>90	▲15°	5600 lm	3000K	●	PS-GL1031-30W-930-W-15		
			5470 lm	3000K	●	PS-GL1031-30W-930-W-20	
			5600 lm	3000K	●	PS-GL1031-30W-930-W-45	

Technical Data test pattern

30W	CRI>80			CRI>90	
	LED			Luminaire	
Power	18.7W			29.5W	
Current	540mA			700mA	
Flux	2742lm	2827lm	2867lm	2913lm	3130lm
CCT	3000K	4000K	5000K	3000K	4000K
Color tolerance	3 SDCM				
Service life	>50000Hrs			>50000Hrs	
Beam Angle	120°			15°\20°\45°	
Typical Efficiency				85%	
Efficacy(lm/W)	147	151	153	98	106

