



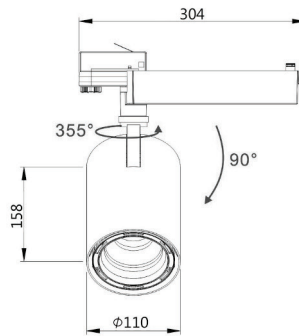
LED track light PS-TL28-40W Reflector



TL-PRO-05



TL-PRO-07



Technical Parameters

Name	Parameters
Light source:	COB
Input Voltage:	AC220~240V 50/60Hz
LED Current:	1000mA,35-37V
Rated life:	>35,000 hours
Operating temperature:	-20°-40°
Storage temperature:	-30°-60°
Certificate:	CE/ROHS
Weight:	1.55KG
Warranty	5 Years



Ordering Information

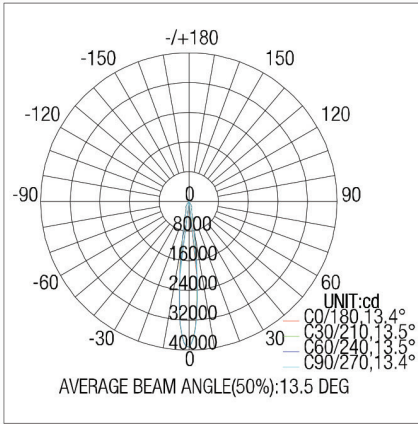
○ White ● Black

Power	CRI	Beam Angle	Luminous	CCT	Housing	Part Number	
40W	>80	▲15°	4325 lm	3000K	○	PS-TL284-40W-830-W-15	
					●	PS-TL284-40W-830-B-15	
				4390 lm	4000K	○	PS-TL284-40W-840-W-15
						●	PS-TL284-40W-840-B-15
		▲20°	4365 lm	3000K	○	PS-TL284-40W-830-W-20	
					●	PS-TL284-40W-830-B-20	
				4500 lm	4000K	○	PS-TL284-40W-840-W-20
						●	PS-TL284-40W-840-B-20
		▲45°	4330 lm	3000K	○	PS-TL284-40W-830-W-45	
					●	PS-TL284-40W-830-B-45	
				4565 lm	4000K	○	PS-TL284-40W-840-W-45
						●	PS-TL284-40W-840-B-45
	>90	▲15°	3630lm	3000K	○	PS-TL284-40W-930-W-15	
					●	PS-TL284-40W-930-B-15	
				3750 lm	4000K	○	PS-TL284-40W-940-W-15
						●	PS-TL284-40W-940-B-15
		▲20°	3790 lm	3000K	○	PS-TL284-40W-930-W-20	
					●	PS-TL284-40W-930-B-20	
				3830 lm	4000K	○	PS-TL284-40W-940-W-20
						●	PS-TL284-40W-940-B-20
		▲45°	3755lm	3000K	○	PS-TL284-40W-930-W-45	
					●	PS-TL284-40W-930-B-45	
				3880 lm	4000K	○	PS-TL284-40W-940-W-45
						●	PS-TL284-40W-940-B-45

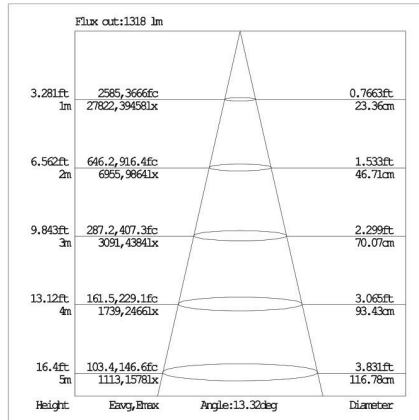


Technical Data test pattern

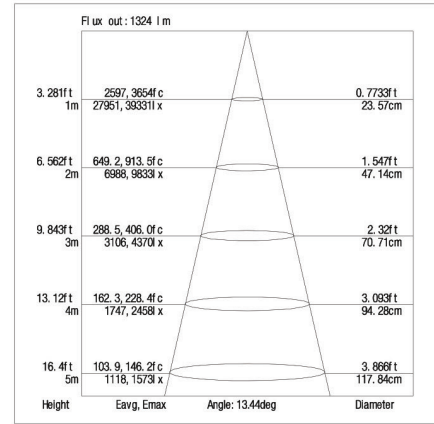
CRI80 15°



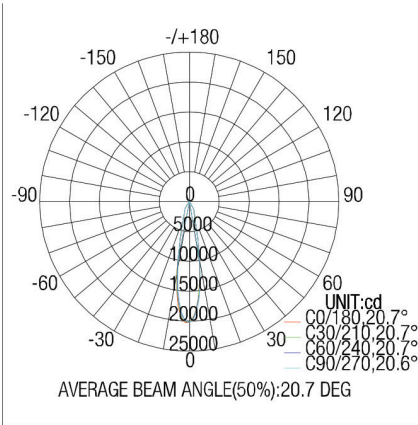
3000K



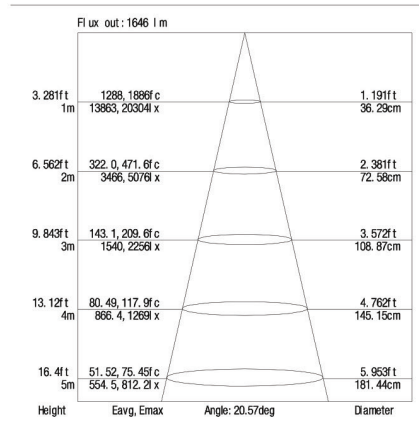
4000K



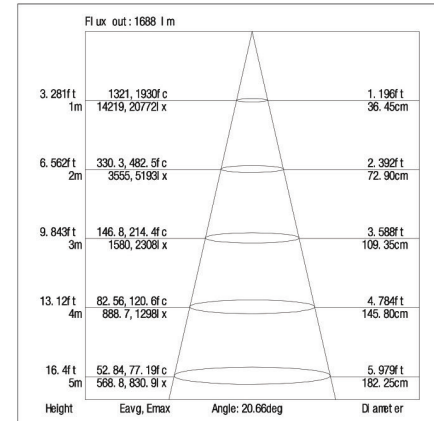
CRI80 20°



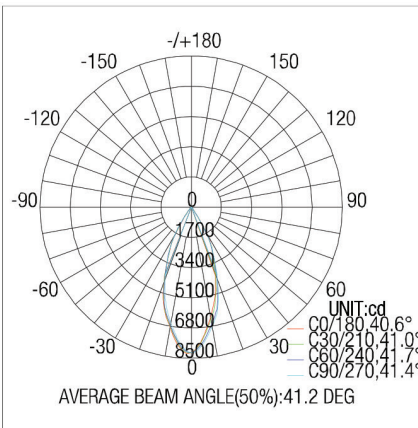
3000K



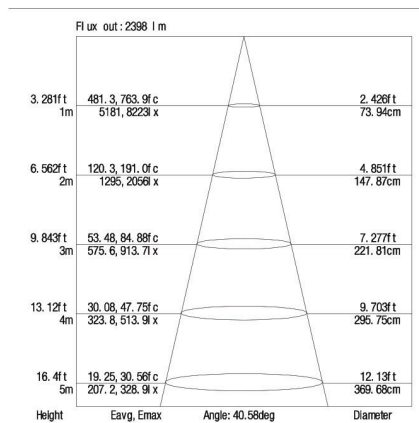
4000K



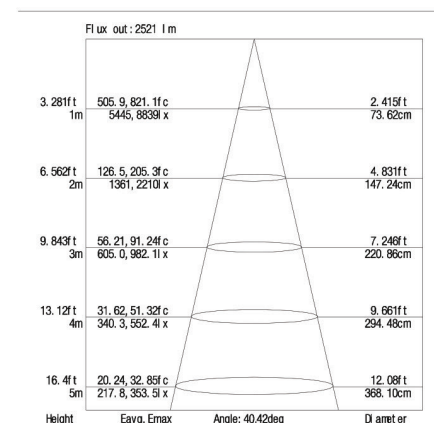
CRI80 45°



3000K

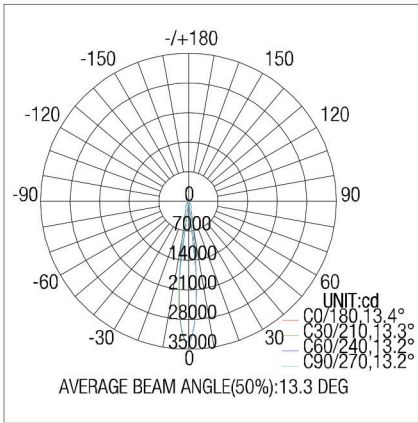


4000K

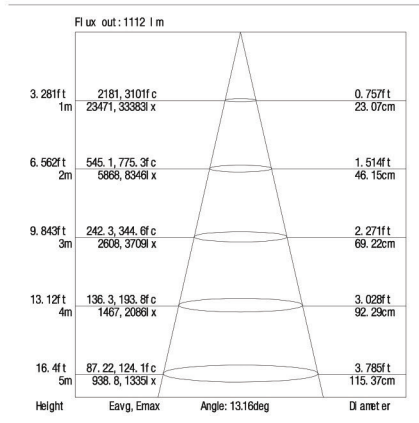




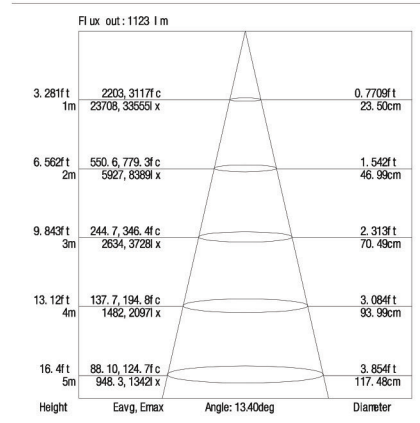
CRI90 15°



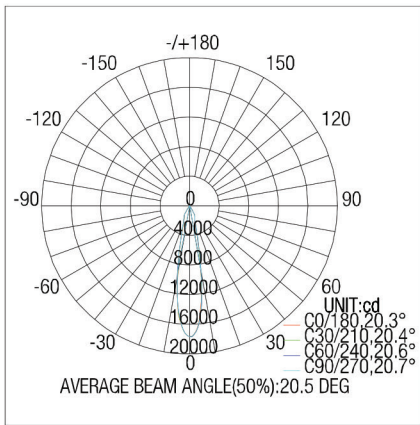
3000K



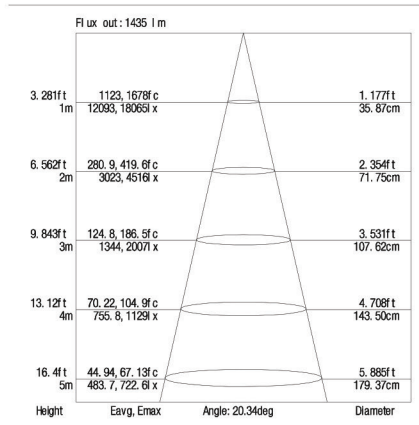
4000K



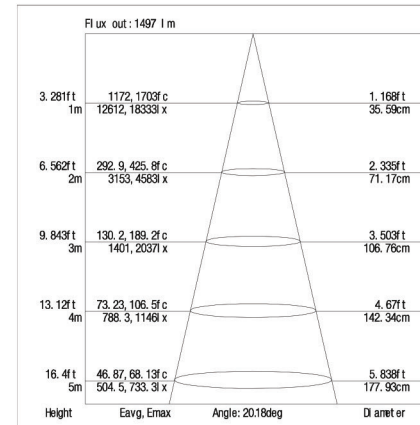
CRI90 20°



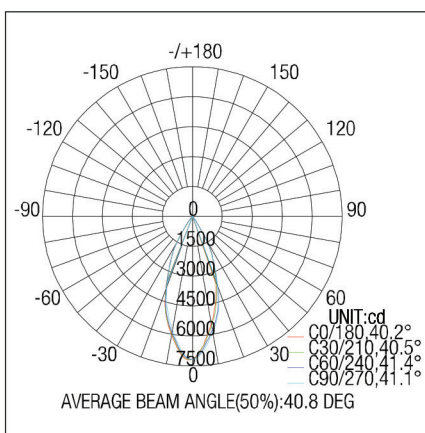
3000K



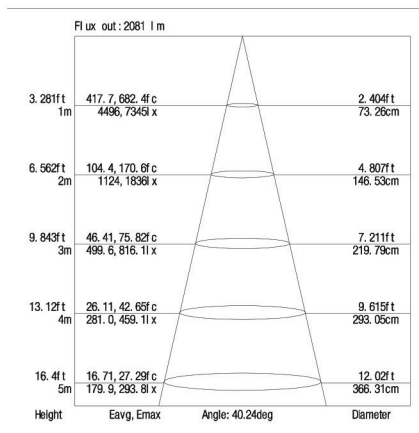
4000K



CRI90 45°



3000K



4000K

